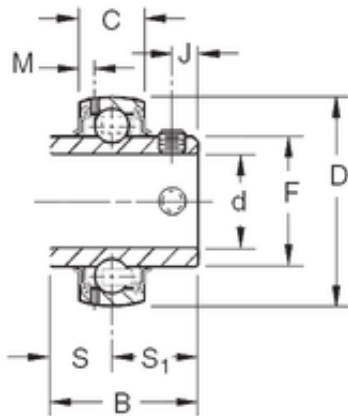




Timken Making Bearings LTD

50,8 mm x 100 mm x 55,55 mm Timken GY1200KRRB Ball Insert Bearings



Bearing No. GY1200KRRB

Size	50.8x100x55.55 mm
Bore Diameter	50,8 mm
Outer Diameter	100 mm
Width	55,55 mm
d	50,8 mm
D	100 mm
B	55,55 mm
C	24 mm
S1	33,32 mm
F	69,77 mm
J	10 mm
M	5 mm
S	22,22 mm
Thread (G)	M10x1,5
Weight	1,498 Kg
Basic dynamic load rating (C)	48,1 kN

GY1200KRRB Bearing 2D drawings and 3D CAD models