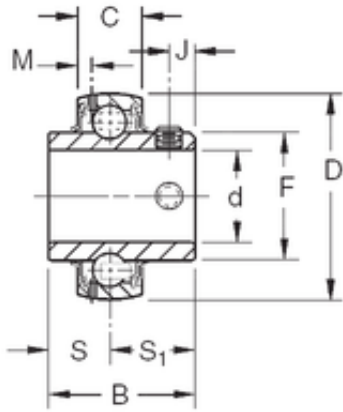




Timken Making Bearings LTD

30,1625 mm x 62 mm x 38,1 mm Timken GY1103KRRB SGT Ball Insert Bearings



Bearing No. GY1103KRRB SGT

Size	30.1625x62x38.1 mm
Bore Diameter	30,1625 mm
Outer Diameter	62 mm
Width	38,1 mm
d	30,1625 mm
D	62 mm
B	38,1 mm
C	18 mm
S1	22,22 mm
F	40,31 mm
J	7,62 mm
M	3,96 mm
S	15,88 mm
Thread (G)	M6X1
Basic dynamic load rating (C)	21,6 kN

GY1103KRRB SGT Bearing 2D drawings and 3D CAD models