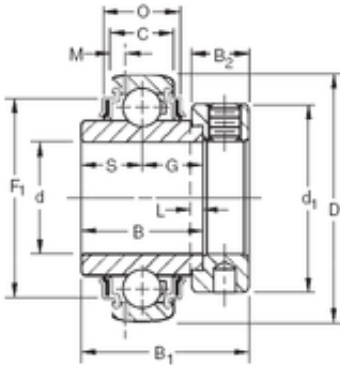




Timken Making Bearings LTD

41,275 mm x 100 mm x 42,86 mm Timken GN110KRRB Ball Insert Bearings



Bearing No. GN110KRRB

Size	41.275x100x42.86 mm
Bore Diameter	41,275 mm
Outer Diameter	100 mm
Width	42,86 mm
d	41,275 mm
D	100 mm
B	42,86 mm
C	27 mm
P	28,52 mm
O	82,58 mm
d1	69,9 mm
B1	5 mm
B2	20,6 mm
G	23 mm
L	4,8 mm
S	19,8 mm
F1	58,7 mm
Weight	1,656 Kg
Basic dynamic load rating (C)	58,5 kN

GN110KRRB Bearing 2D drawings and 3D CAD models