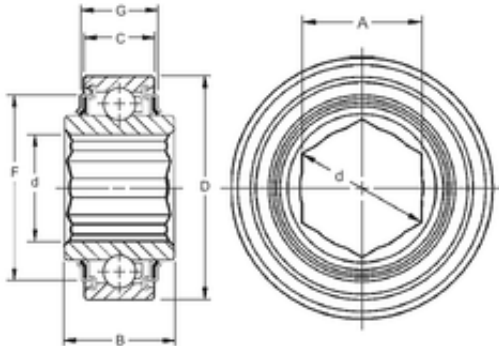




Timken Making Bearings LTD

29,31 mm x 62 mm x 24 mm Timken 206KPP3 Radial & Deep Groove Ball Bearings



Bearing No. 206KPP3

Size	29.31x62x24 mm
Bore Diameter	29,31 mm
Outer Diameter	62 mm
Width	24 mm
d	29,31 mm
D	62 mm
B	24 mm
C	16 mm
A	25,43 mm
F	52,07 mm
G	19,56 mm
Weight	0,345 Kg
Basic dynamic load rating (C)	21,6 kN

206KPP3 Bearing 2D drawings and 3D CAD models