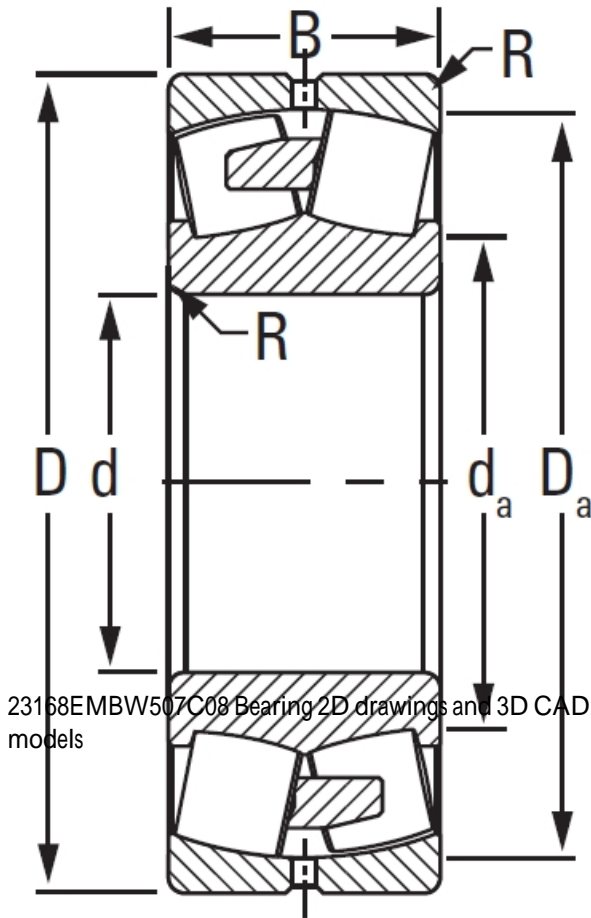




# Timken Making Bearings LTD

## Timken 23168EMBW507C08 Spherical Roller Bearings

Bearing No. 23168EMBW507C08



23168EMBW507C08 Bearing 2D drawings and 3D CAD models

Design Unit	METRIC
Bearing Weight	210.300 Kg
Cage Type	EMB
UPC Code	087796177420
Cage Material	Brass
Superseded Part	23168YMBW507C08
d	340.000 mm
D	580.000 mm
B - Inner Ring Width	190 mm
B - Outer Ring Width	190.000 mm
R - Inner Ring To Clear Radius <sup>1</sup>	4.000 mm
r - Outer Ring To Clear Radius <sup>2</sup>	4.000 mm
da - Inner Ring Backing Diameter	395.000 mm
Da - Outer Ring Backing Diameter	526.000 mm
C0 - Static Radial Rating	6850000 N
C1(2) - Dynamic Radial Rating (Two-Rows)	4500000 N
e - ISO Factor <sup>3</sup>	0.3
Y0 - ISO Factor <sup>4</sup>	2.22
Y1 - ISO Factor <sup>5</sup>	3.3
Y2 - ISO Factor <sup>6</sup>	2.17
Reference Thermal Speed Rating (Grease)	570



## Timken Making Bearings LTD

Reference Thermal Speed Rating (Oil) <sup>7</sup>	630
Cg - Geometry Factor <sup>8</sup>	0.1383