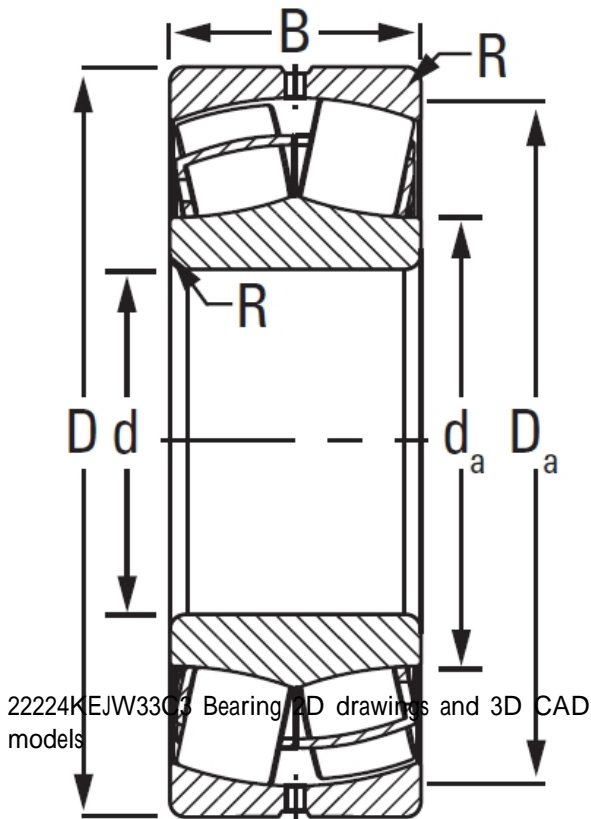




Timken Making Bearings LTD

Timken 22224KEJW33C3 Spherical Roller Bearings

Bearing No. 22224KEJW33C3



22224KEJW33C3 Bearing CAD drawings and 3D CAD models

Design Unit	METRIC
Bore Taper	1/12
Bearing Weight	9 Kg
Cage Type	EJ
UPC Code	087796025400
Cage Material	Steel
Superseded Part	22224KCJW33C3
d	120 mm
D	215 mm
B - Inner Ring Width	58 mm
B - Outer Ring Width	58.000 mm
R - Inner Ring To Clear Radius ¹	2.0 mm
r - Outer Ring To Clear Radius ²	2.0 mm
da - Inner Ring Backing Diameter	143.000 mm
Da - Outer Ring Backing Diameter	196.000 mm
C0 - Static Radial Rating	772000 N
C1(2) - Dynamic Radial Rating (Two-Rows)	647000 N
e - ISO Factor ³	0.25
Y0 - ISO Factor ⁴	2.7
Y1 - ISO Factor ⁵	4.02
Y2 - ISO Factor ⁶	2.64
Reference Thermal Speed	2600



Timken Making Bearings LTD

Rating (Grease)	
Reference Thermal Speed Rating (Oil) ⁷	3200
Cg - Geometry Factor ⁸	0.0778